

# SYS

# CORPORATION

專業創新·品質第一

## RT series

## 單支裝對稱式空氣濾芯機

### Single Cartridge T-Line Air Filter Housing

- ▶ 墊片材質：EPDM / VITON / SILICONE / TEFLON+EPDM
- ▶ 表面處理：內外拋光/內外拋光電解(EP)
- ▶ 材質：304/316/316L
- ▶ 設計壓力：10Kg/cm<sup>2</sup>
- ▶ 操作壓力：7Kg/cm<sup>2</sup>
- ▶ 設計溫度：100°C
- ▶ 操作溫度：75°C



## FEATURES

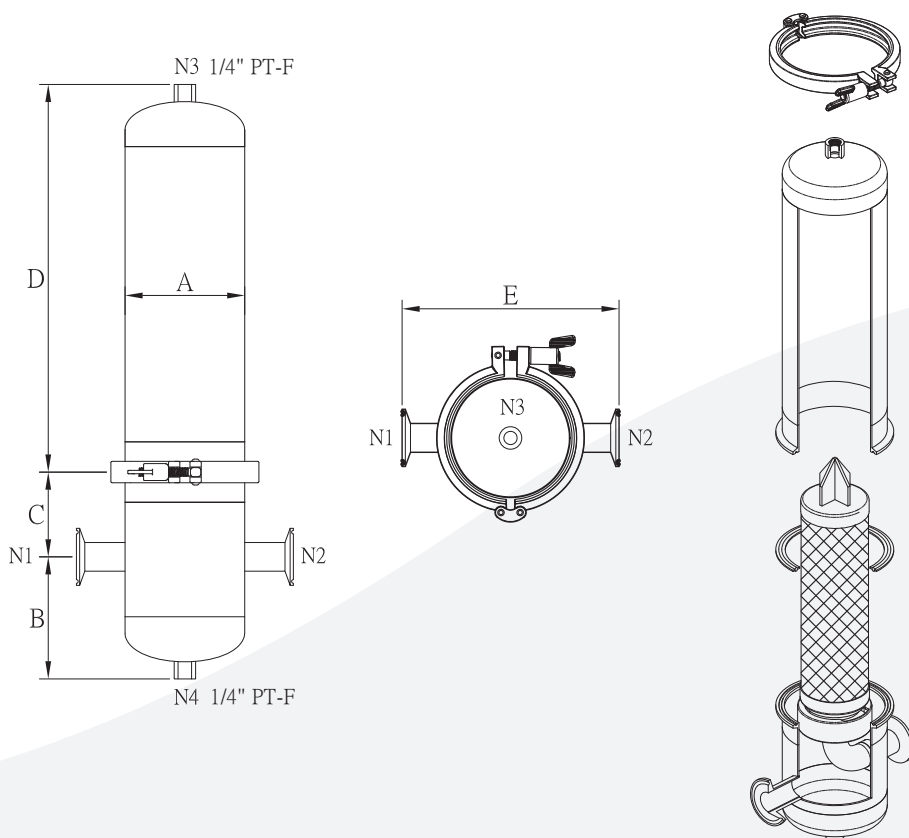
- ▶ 內外表面處理拋光至Ra 0.2μm，符合衛生等級要求，表面光亮如鏡面
- ▶ 容易安裝與拆卸，更換濾芯方便可直接從底座取出濾芯更換
- ▶ 使用專利束環設計，不需使用工具即可拆換，方便維護
- ▶ 最大化流量和最小化壓降，出入口平行設計，方便配管
- ▶ 表面光滑無死角，粉塵細菌不殘留
- ▶ 輕便、體積小，安裝使用不占空間



**RT series**

**單支裝對稱式空氣濾芯機**

**Single Cartridge T-Line Air Filter Housing**



**SPECIFICATIONS**

Model	Length of Cartridge	A m/m	B m/m	C m/m	D m/m	E m/m	(Air) M <sup>3</sup> /Hr	Weight
1RT1	10"	Ø101.6	78	75	340	188	4	4 kg
1RT2	20"	Ø101.6	78	75	590	188	8	5.3 kg
1RT3	30"	Ø101.6	78	75	840	188	12	6.5 kg

**PURCHASE CODE**

1RT	1	C5	4	25	J	E	3	3
Product code	Length of Cartridge	Cartridge	Material	In&Outlet size	In&Outlet type	Gasket Material	Interior surface finished	Exterior surface finished
	1-10"	CF-DOE	4-304	15-1/2"	10K-JIS	E-EPDM	3-Polishing	3-Polishing
	2-20"	C5-222+Fin	6-316	20-3/4"	150P-ANSI	V-Viton	4-Electrolyze& Polishing (EP)	4-Electrolyze& Polishing (EP)
	3-30"	C7-226	6L-316L	25-1"	PN10-DIN	S-Silicone		
				40-1-1/2"	J-Clamp	TE-Teflon+EPDM		
					PF-BSPT-F			
					BF-BSPF-F			
					NF-NPT-F			

► 1"夾接規格  
SYS standard inlet/outlet size is 1" sanitary clamp.

► 濾芯僅供選購  
Filter element for optional purchase.